

DATA SHEET

REF. INSECIN2

INSECT TRAP LAMP **PROVOL QUADRE**



GENERAL

WARRANTY: 2 years.
ACTUATION METHOD: With electricity (connected to plug).
METHOD: Attracts insects and they get trapped in the adhesive film.
EFFICIENT IN SPACES UP TO: 60-150m².
HOW IT WORKS: With an adhesive film.

AMBIENCE

TEMPERATURE RANGE: 5/40°C.
HUMIDITY RANGE: 20-90%.

INSECT TRAP LAMP **PROVOL QUADRE**

MOUNTING: Screwed to the wall.
NET WEIGHT: 1,7Kg.
GROSS WEIGHT: 2Kg.
DIMENSIONS: 315 x 250 x 120mm / 12,4 x 9,84 x 4,72inch.
MATERIAL: Galvanized sheet.
COLOR: Black.
PALLET: 80 x 120 x 2,14m. 27 boxes per mantle. 6 mantles (275kg).
LAMP TYPE: Light bulb E27 20W 3U CFL.
MARKETING: Can be customized with logo.

ELECTRONICS

ENERGY CONSUMPTION: 200W (aprox.).
POWER SUPPLY: 230V / 50Hz 110V.

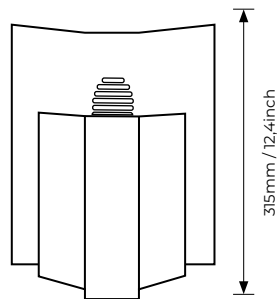
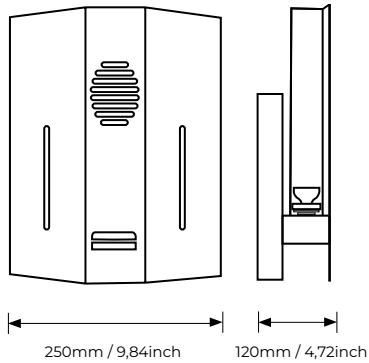
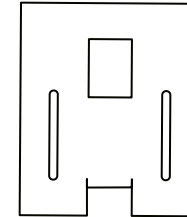
REFILL

ADEHSIVE FILM BAG: 6 units.
LIGHT BULB BOX: 1 unit.

ADVICES

Store the equipment in a dry place at a temperature between 11°C and 33°C. By fulfilling these conditions, the film can be kept for a maximum of two years, without changing its properties. Adhesive duration in the unit: 30 to 45 days under normal conditions and exposed to ultraviolet light. Resistant to ultraviolet light.

REFILL (Adhesive Film)

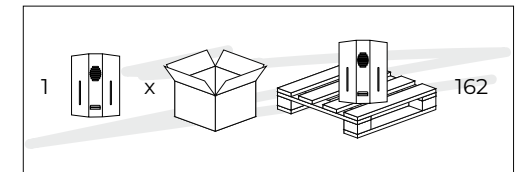


FEATURES

Allows wall mounting. Compact lamp, high efficiency. No smell, no noise, no pesticides. Silent. Efficient. Economic. It works with an adhesive film. The lamp attracts insects thanks to its ultraviolet light and these are trapped in the adhesive film. The adhesive film should be changed once a month. Once the adhesive film has been removed, it can be reused for a pests study, which allows greater control of the type of insects to be exterminated. Ideal both for the exterior and the interior, where insect control must be done with discretion: bars, restaurants, cafes, shops, receptions, offices, hotels, schools, etc.

ADHESIVE FILM

Adhesive of high resistance to UV light that prevents the detachment of the adhesive or the loss of adhesion of the plate. Adhesive with anti-drip formula with high resistance to adverse environmental conditions. Uniform application of the adhesive that guarantees a consistent adhesion throughout the plate. Varnished base to avoid the absorption of the adhesive. It contains specific attractants to guarantee a greater capture. Siliconized paper that ensures easy removal without affecting the glue. The adhesive film is not a toy. Keep out of the reach of children. Wide grid (25mm x 25mm) to facilitate the counting of insects. Our cardboard plates are 100% recyclable.



INSECT CATCHERS ON PALLETS

Register No.: AN-04-DM-01
Version: 002
Date: 11 / 10 / 2021

