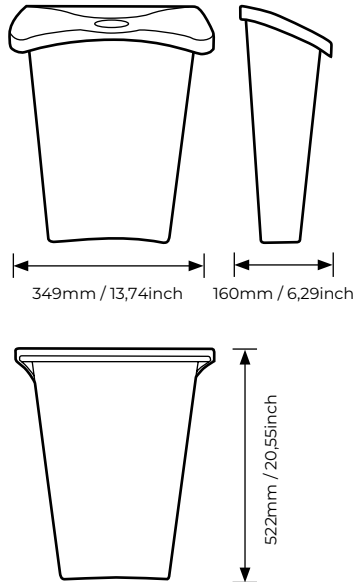


# DATA SHEET

REF. UH1MINI

## SANITARY BIN MINI



### GENERAL

**WARRANTY:** 2 years.  
**COMPOSITION (PIECES):** Bin and tilting lid.  
**ACTUATION METHOD:** The lid is opened manually.  
**FUNCTION:** To collect of waste originated at feminine bathrooms.

### AMBIENCE

**TEMPERATURE RANGE:** 5 / 40°C.  
**HUMIDITY RANGE:** 20-90%

### SANITARY BIN MINI

**MOUNTING:** Place on a consolidated horizontal surface.  
**WEIGHT COMPLETE UNIT:** 1,720g.  
**DIMENSIONS:** 522 x 160 x 349mm / 13,74 x 6,29 x 20,55inch.  
**MATERIAL:** Polypropylene.  
**COLOR:** Grey.  
**CAPACITY:** 12L.  
**MARKETING:** Can be customized with logo.

### PROANZYMES MAINTENANCE

**DURATION:** 30 days.  
**ACTUATION METHOD:** Place a bag in the Sanitary Bin Mini.  
**COMPOSITION:** Granulated product based on natural enzymes.

### PROANZYMES

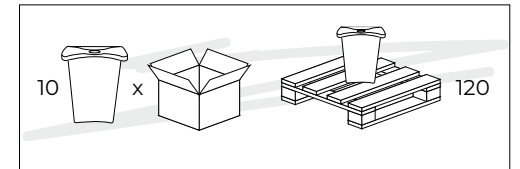
Granulated product which neutralizes odors. It works as a bactericide, germicide and fungicide. The Proanzymes activates upon contact with the organic matter. Its action occurs trough the capillary vaporization assuring incursion on the waste allowing control on bacteria and pathogens, neutralizing bad odors caused by the bacterial decomposition of the blood residue. It releases a soft and gentle scent. Its biodegradable so does not harm the ozone layer.

### FEATURES

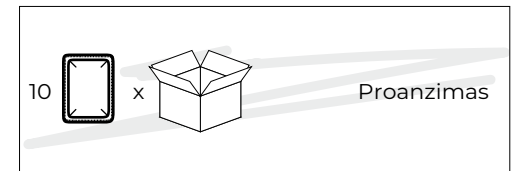
Made to collect feminine disposals on bathrooms. Appropriate for reduced spaces and areas. Easy to clean. Tilting lid designed to prevent from the vision of its content. Manually. Robust and vandal resistant. Thanks to its small size fits easily into any space.

### COMPOSITION

**GREY POLYPROPYLENE:** Bin, Lid.



MINI SANITARY BIN ON PALLETS



PROANZYMES ON BOXES

Register No.: AN-04-DM-01  
Version: 002  
Date: 07 / 10 / 2021