

DATA SHEET

REF. NEBLAG

NEBULIZER **LARGE**

PROANDRE
HYGIENE SOLUTIONS



GENERAL

WARRANTY: 2 years.

TIMER: Digital programming through the screen or App programation.

NEBULIZER STEAM GENERATOR: Through absorption and mixture system of Proandre.

EFFECTIVE IN SPACES BETWEEN: 700-1000m³.

DISPENSING MODE: Cold aromatization of the system. Converts the essence to a dry cloud of microparticles. Can be connected to air conditioning.

AMBIENCE

TEMPERATURE RANGE: -5 / 50°C.

HUMIDITY RANGE: 20-75%.

NEBULIZER LARGE

MOUNTING: Place on a flat surface and connect the cable.

NET WEIGHT: 2,1Kg.

DIMENSIONS: 249 x 114 x 223mm / 9,8 x 4,48 x 8,77inch.

MATERIAL: Polipropylene Plastic.

COLOR: Black.

VOLTAGE: 12V. With power supply to connect to the network.

POWER: 12W.

SOUND LEVEL: ≤ 45 dba.

CONNECTION CABLE: Yes. With power supply supplied with the equipment.

SAFETY LOCK : Integrated.

MARKETING: Can be customized with logo / label.

REFILL

FEATURES: Rigid.

CAPACITY: 800ml.

MATERIAL: Polipropylene Plastic.

INSTRUCTIONS FOR USE

1. Choose your favorite aroma.
2. Use the key to open the equipment.
3. Insert the batteries / cable and charging.
4. Set the run time in the "Proandre Scent" App.
5. Enjoy the fragrance.

· **Application operations and settings:** To facilitate the use of the machine, the use of a mobile phone is supported to configure the machine.

1. Download the "Proandre Scent" App: Enter the App Store or Google Play Store, then search for "Proandre Scent" and download the App.
2. Settings: Enter the password Default 1234 to log in. Your nebulizer is ready to be used and enjoyed.

FEATURES

Constant and stable diffusion of fragrances with natural essential oils.

No gas is used for diffusion. Long-lasting, pleasant fragrances, evenly distributed. With automatic mode.

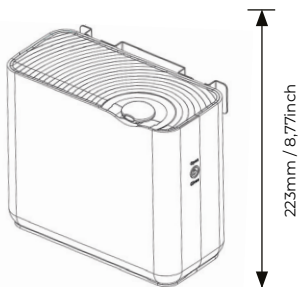
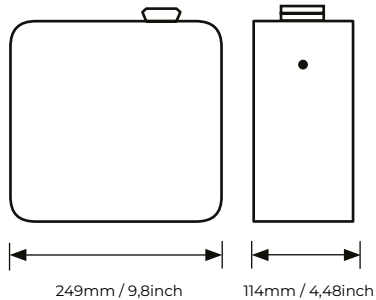
Convenient and easy to use. Can be easily moved from one space to another. Silent. Elegant design, easy maintenance.

AVAILABLE FRAGRANCES (800ml)

Normal Range: Bamboo, Vanilla, Mediterranean Beach, Lime Tangerine, Victus, Lavender Vanilla, Just Washed, California, Green Tea, Fig, Mango, Lemon Air, Sunrise, Petals, Cloud, Snow, Malaysia, Equilibrium, Peach, Tropical, Fresh Grass.

Upper Range: Bamboo, Vanilla, Mediterranean Beach, Lime Tangerine, Victus, Lavender Vanilla, Just Washed, California, Green Tea, Fig, Mango, Lemon Air, Sunrise, Petals, Cloud, Snow, Malaysia, Equilibrium, Peach, Tropical, Fresh Grass.

Premium Range: Japan, Hope, Forever, Oudh.



Register No.: AN-04-DM-01
Version: 001
Date: 26 / 05 / 2025